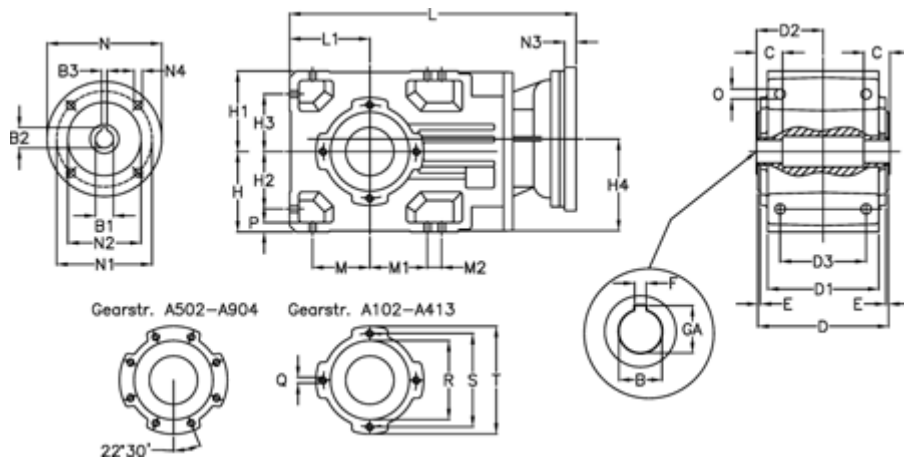


Article number: 29600101643230
 Description: Bevel helical gearbox
 A102UH25-16,4-P80B5

Measures



B = 25	D3 = 75	H3 = 50.0	N1 = 165	S = 100
B1 = 19	Description = A102UH25-xx-P80 B5	H4 = 83.0	N2 = 130	T = 120
B2 = 21.8	E = 3.0	L = 302.0	N3 = 0	
B3 = 6	F = 8	L1 = 70	N4 = M10x12	
C = 18	GA = 28.3	M = 50.0	O = 9.5	
D = 117	H = 70	M1 = 50.0	P = 9	
D1 = 95	H1 = 70	M2 = 0	Q = M8x12	
D2 = 60.0	H2 = 50.0	N = 200	R = 80	